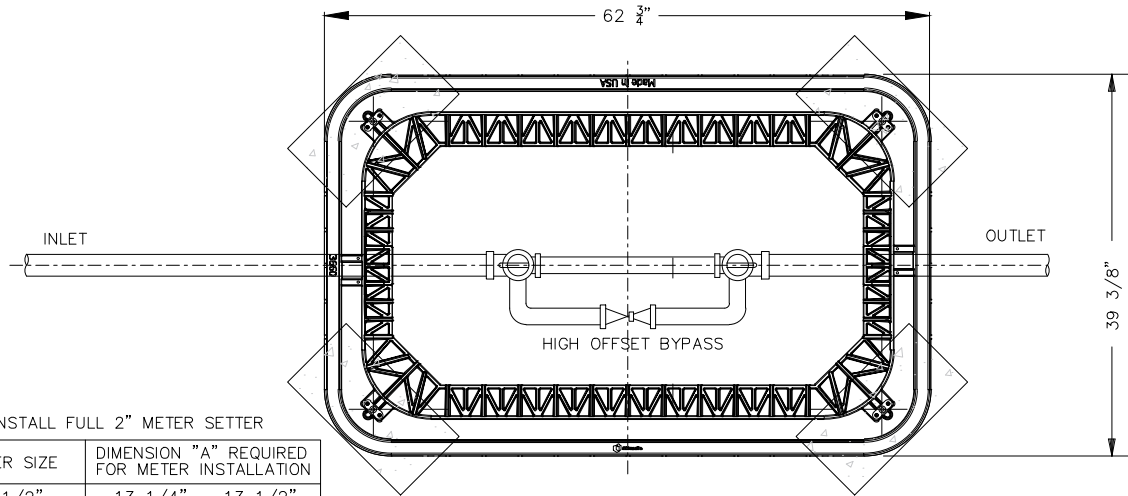




**MISSOURI
AMERICAN WATER**

FILE NO. _____
 INDEX NO. _____
 ISSUED DATE 01-2024
 AMENDED DATE 03/2024



INSTALL FULL 2" METER SETTER

METER SIZE	DIMENSION "A" REQUIRED FOR METER INSTALLATION
1 1/2"	13 1/4" - 13 1/2"
2"	17 1/4" - 17 1/2"

USE APPROPRIATE ADAPTERS FOR 1 1/2" METER

ARROW VALVE W/ EXISTING CONSTRUCTION

* CHECK VALVE W/ NEW CONSTRUCTION

GROUND SURFACE DRAINAGE MUST BE AWAY FROM TOP OF BOX

GRADING

8" TOP SOIL

GEOTEXTILE FILTER FABRIC

NEW SERVICE INSTALLATION

ELECTRICAL CURRENT INSULATION (DIELECTRIC) FITTING FOR ALL METER WATER SERVICE LINES SHALL BE INSTALLED ON THE OUTLET (PREMISES) SIDE OF THE METER YOKE OR SETTER. INSTALLATION-CONTACT LOCAL DISTRICT OFFICE FOR REQUIREMENT.

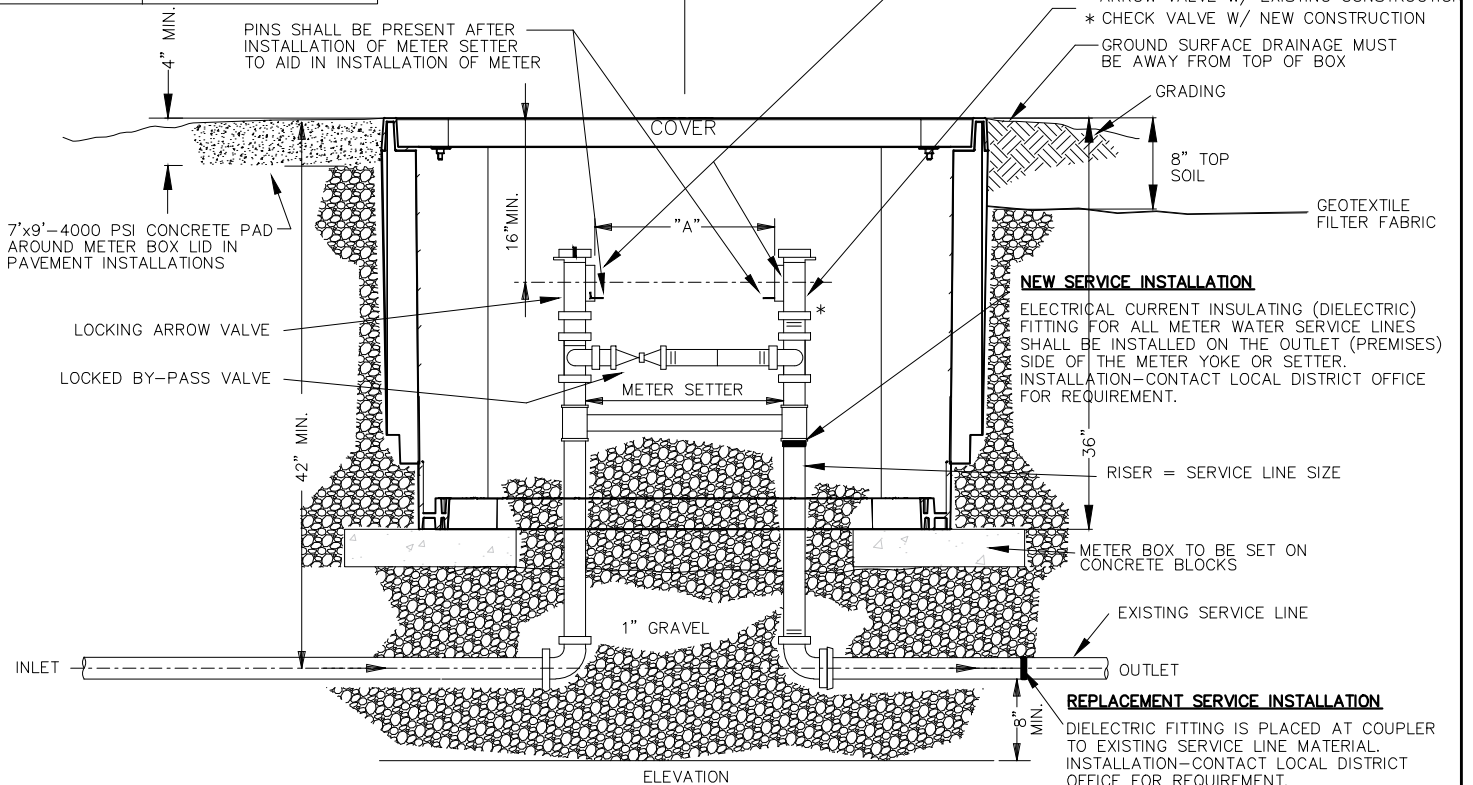
RISER = SERVICE LINE SIZE

METER BOX TO BE SET ON CONCRETE BLOCKS

EXISTING SERVICE LINE

REPLACEMENT SERVICE INSTALLATION

DIELECTRIC FITTING IS PLACED AT COUPLER TO EXISTING SERVICE LINE MATERIAL. INSTALLATION-CONTACT LOCAL DISTRICT OFFICE FOR REQUIREMENT.



ELEVATION

- METER SETTER MUST BE STAKED AND Banded ON EACH END TO PROVIDE ADEQUATE SUPPORT
- METER BOX TO BE LOCATED IN AREA OTHER THAN TRAFFICWAY AND WHERE SURFACE WATER WILL NOT DRAIN INTO IT.
- COPPER OR HDPE (AS APPROVED BY MAWC) MUST EXTEND A MIN. OF 4' FROM OUTLET SIDE OF BOX.
- SERVICE CONNECTION TO PUBLIC WATER MAIN WILL NOT BE MADE BEFORE METER PIT AND PIPING ARE COMPLETE UNLESS APPROVED BY AN AUTHORIZED COMPANY REPRESENTATIVE.
- IF HDPE IS APPROVED AND UTILIZED, THE CORRECT METER SETTER TO BE USED WITH HDPE PIPING.
- OLD CASTLE MODEL#3660-36 DL/LW FLSH COVER, T22-MULTI SKU
- COPPER OF APPROPRIATE SIZE TO EXTEND MIN. 4' FROM OUTLET SIDE OF METER BOX.
- METER SETTER OR METER YOKE TO BE UTILIZED PER DISTRICT REQUIREMENTS.
- PROVIDE 1" CLEAN ROCK BACKFILL ON EXCAVATIONS.
- TRACER WIRE TO BE INSTALLED WHEN HDPE SERVICE LINE MATERIAL IS INSTALLED. MUST BE INSTALLED FROM "CORPORATION" UP TO TOP OF METER BOX INSTALLATION.
- PLACE GEOTEXTILE/FILTER FABRIC PER SPECIFICATION 2210.2.04 ON TOP OF THE 1" CLEAN GRANULAR BACKFILL PRIOR TO INSTALLING NATIVE OR IMPORTED TOP SOIL BACKFILL MATERIAL.

SUBJECT TO REVISION WITHOUT NOTICE 03-01-2024

**METER BOX FOR 1 1/2"-2"
RESIDENTIAL & COMMERCIAL SERVICES**

PRINT AND READ DISCLAIMER WITH ALL MAWC DRAWINGS

CAD /DISTRIB/DETAILS/METERBOX/METERBOX_20200821.DWG